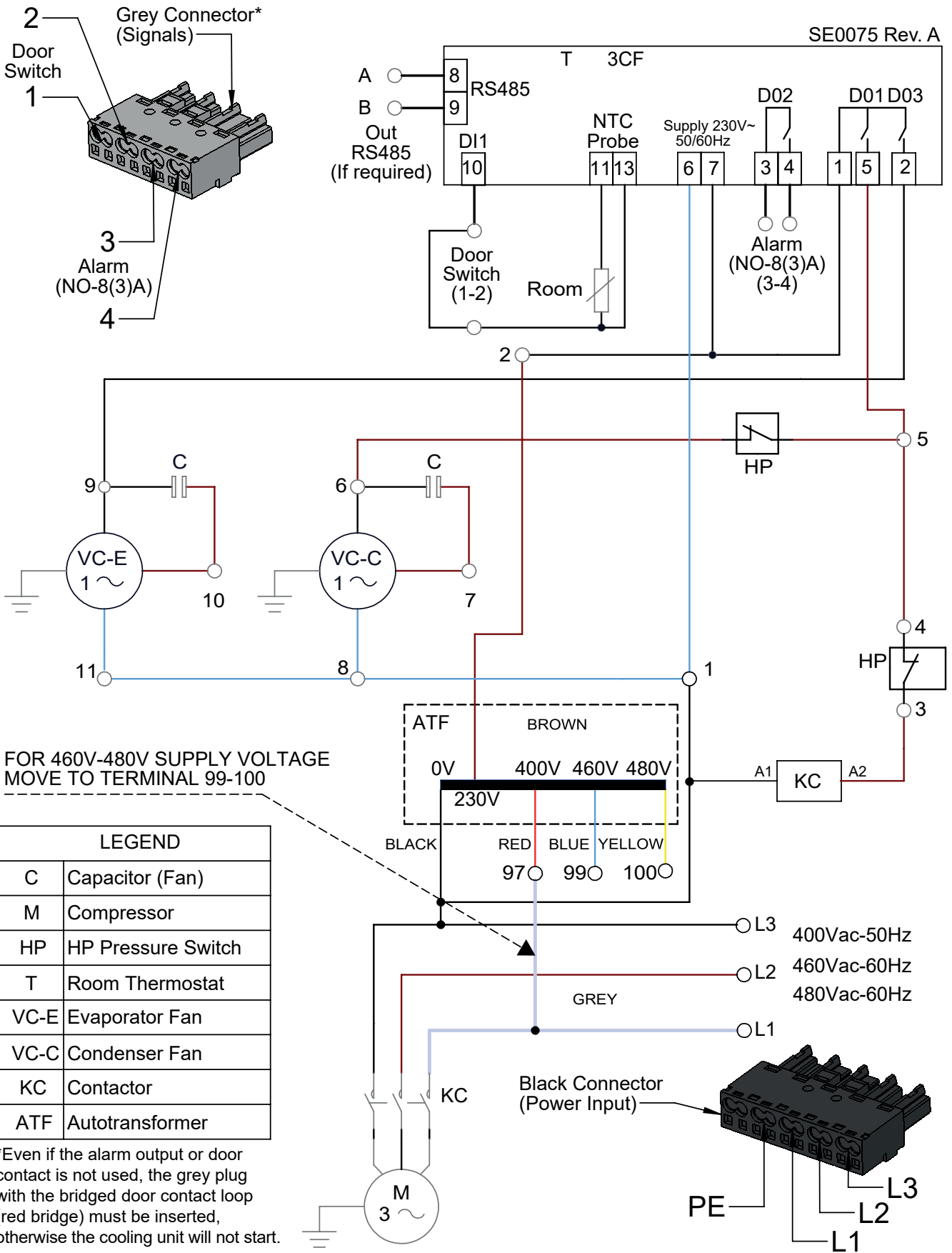


Schaltplan / Wiring: ROKLMFUH30043L 20.RAMO.30XX.0107  
 ROIKLMFUH30043L 20.RAMO.30XX.0907  
 ROBLMFUH30043L 20.RAMO.30XX.1007



LEGEND	
C	Capacitor (Fan)
M	Compressor
HP	HP Pressure Switch
T	Room Thermostat
VC-E	Evaporator Fan
VC-C	Condenser Fan
KC	Contactor
ATF	Autotransformer

\*Even if the alarm output or door contact is not used, the grey plug with the bridged door contact loop (red bridge) must be inserted, otherwise the cooling unit will not start.