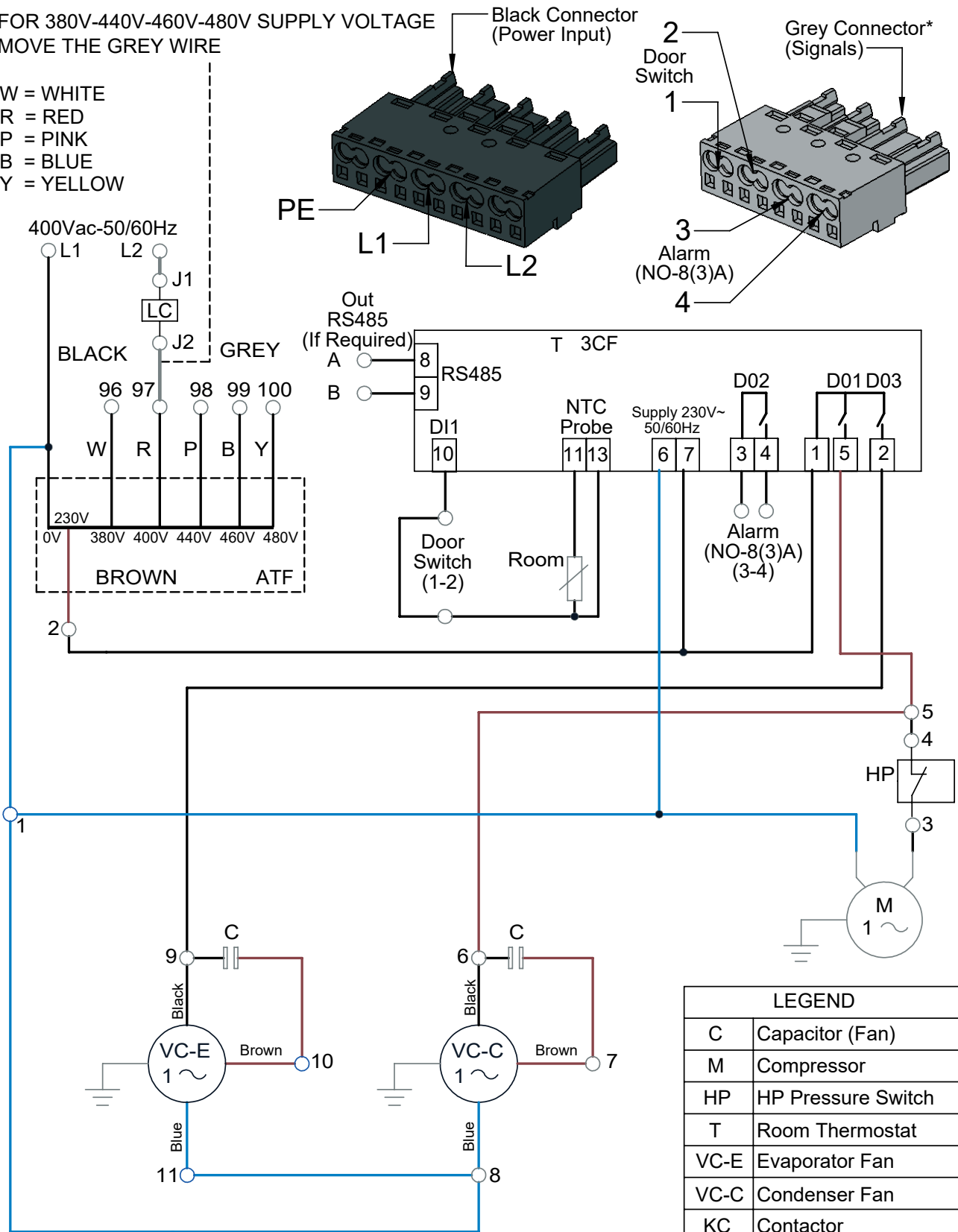


Schaltplan / Wiring diagram: R5KLMFU15042SOT - RIKLMFU15042SOT
 R5KLMFU15042SIT - RIKLMFU15042SIT

FOR 380V-440V-460V-480V SUPPLY VOLTAGE
 MOVE THE GREY WIRE

W = WHITE
 R = RED
 P = PINK
 B = BLUE
 Y = YELLOW



*Even if the alarm output or door contact is not used, the grey plug with the bridged door contact loop (red bridge) must be inserted, otherwise the cooling unit will not start.

LEGEND	
C	Capacitor (Fan)
M	Compressor
HP	HP Pressure Switch
T	Room Thermostat
VC-E	Evaporator Fan
VC-C	Condenser Fan
KC	Contactur
ATF	Autotransformer
LC	Current Limiter Inrush